



Ready to Install

Quick. Simple. Convenient.



Enclosed Product Features

Single-source solution eliminates cost of multiple part vendors, orders and payments.

Dramatically reduces time associated with field construction of panel enclosures.

Provides standard and consistent field wiring of controllers and sub-controllers across all projects for easy service.

Overall enhanced profitability through simplified sales, order entry, and installation.

Pre-wired for quick and simple installation.

Automatic switch over to backup battery in applicable units.

Cabinet tamper switch comes standard on all enclosure assemblies.

Sub-controller enclosures are compact and convenient for above-door installation.

All enclosures are certified with MET Labs and comply with UL 294 and ULC S319-05 standard.

Enclosed Products

Open Options Pre-wired Assemblies

Overview

Open Options Enclosed Products deliver a complete solution for security integrators wanting to provide quality, flexible, ready-to-install panel enclosures on all their projects. Both the E2 Series enclosure and the Sub-controller enclosures offer a wide variety of configuration options to meet the needs of the open architecture system and provide a professionally consistent image on every project.

The **E2 Series Enclosure** comes complete with a power supply, power distribution board, and tamper switch. The E2 Enclosure is extremely flexible and can be ordered with any combination of boards with enough power to handle additional downstream devices.

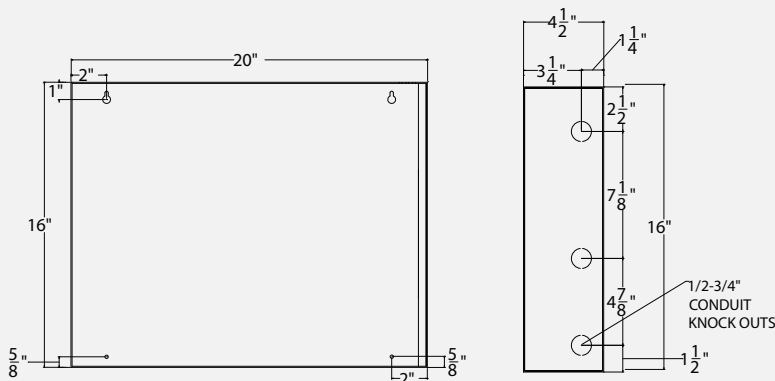
Sub-controller Enclosures come in two basic forms. The standard "C" enclosure is a 12" x 14" assembly that consists of any single sub-controller panel that is pre-wired to a terminal strip and a tamper switch.

The **E3 Series Enclosure** is available with any combination of two sub-controller boards pre-wired to a terminal strip in a 16" x 20" metal enclosure with a tamper switch.



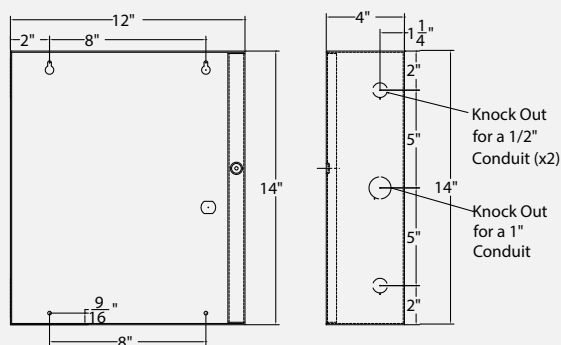
Enclosed Products

E2 Series Enclosure



- 16" x 20" metal enclosure with removable cover and key slot mounting holes.
- SPS-10 Power Supply with Universal AC input (85-264VAC) and 12VDC output (8 continuous amps).
- Self contained transformer.
- Built in charger for battery backup.
- Power distribution board provides 8 class II power limited outputs.
- Micro tamper switch and key lock.
- MET Labs certified - UL 294 & ULC S319-05 compliant
- Available with any combination of Open Options intelligent controllers or sub-controllers.

"C" Enclosure



- 12" x 14" metal enclosure with removable cover and key slot mounting holes.
- Knock outs for 1/2" and 1" conduit.
- Most configurations come pre-wired to a 24 position terminal strip for added convenience and easy installation.
- MET Labs certified - UL 294 & ULC S319-05 compliant.
- Micro tamper switch and key lock.
- Available with any combination of Open Options sub-controllers.

E3 Series Enclosure



The E3 Series is the same basic enclosure as the E2 without power supply and distribution.

- Most configurations come pre-wired to (2) 24 position terminal strips for added convenience and easy installation.
- MET Labs certified - UL 294 & ULC S319-05 compliant.
- Micro tamper switch and key lock.
- Available with any combination of Open Options sub-controllers.