

# Professional Pre-wired Assemblies



## Features

- Single-source solution eliminates cost of multiple part vendors, orders and payments.
- Dramatically reduces time associated with field construction of panel enclosures.
- Provides standard and consistent field wiring of controllers and sub-controllers across all projects for easy service.
- Overall enhanced profitability through simplified sales, order entry, and installation.
- Pre-wired for quick and simple installation.
- Automatic switch over to backup battery in applicable units.
- Cabinet tamper switch comes standard on all enclosure assemblies.
- Sub-controller enclosures are compact and convenient for above-door installation.
- All enclosures are certified with MET Labs and comply with UL 294 and ULC S319-05 standard.

## Enclosed Products

### Overview

Open Options Enclosed Products deliver a complete solution for security integrators wanting to provide quality, flexible, ready-to-install panel enclosures on all their projects. Both the E2 Series enclosure and the Sub-controller enclosures offer a wide variety of configuration options to meet the needs of the open architecture system and provides a professionally consistent image on every project.

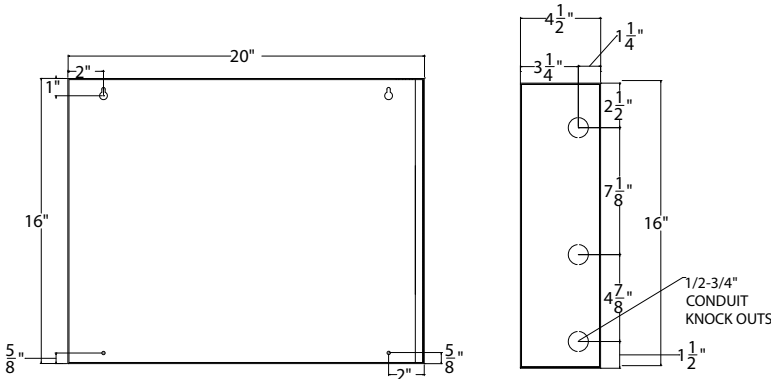
The E2 Series Enclosure comes complete with a power supply, power distribution board, and tamper switch. The E2 Enclosure is extremely flexible and can be ordered with any combination of boards that are pre-wired and with enough power to handle additional downstream devices.

Sub-controller Enclosures come in two basic forms. The standard "C" enclosure is a 12" x 14" assembly that consists of any single sub-controller panel that is pre-wired to a terminal strip and a tamper switch.

The E3 Series Enclosure is available with any combination of two sub-controller boards pre-wired to a terminal strip in a 16" x 20" metal enclosure with a tamper switch.

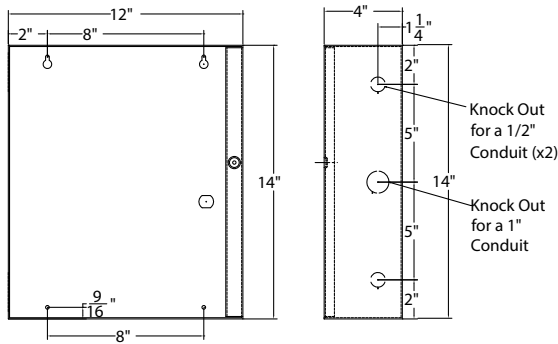
# Enclosed Products

## E2 Series Enclosure



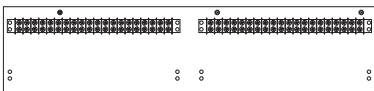
- 16" x 20" metal enclosure with removable cover and key slot mounting holes.
- SPS-10 Power Supply with Universal AC input (85-264VAC) and 12VDC output (8 continuous amps).
- Self contained transformer.
- Built in charger for battery backup.
- Power distribution board provides 8 class II power limited outputs.
- Micro tamper switch and key lock.
- MET Labs certified - UL 294 & ULC S319-05 compliant
- Available with any combination of Open Options intelligent controllers or sub-controllers.

## "C" Enclosure



- 12" x 14" metal enclosure with removable cover and key slot mounting holes.
- Knock outs for 1/2" and 1" conduit.
- Most configurations come pre-wired to a 24 position terminal strip for added convenience and easy installation.
- MET Labs certified - UL 294 & ULC S319-05 compliant.
- Micro tamper switch and key lock.
- Available with any combination of Open Options sub-controllers.

## E3 Series Enclosure



The E3 Series is the same basic enclosure as the E2 without power supply and distribution.

- Most configurations come pre-wired to (2) 24 position terminal strips for added convenience and easy installation.
- MET Labs certified - UL 294 & ULC S319-05 compliant.
- Micro tamper switch and key lock.
- Available with any combination of Open Options sub-controllers.