

Bridge Integrations



Featured Bridge Integrations

M5 Bridge | VB Bridge | SWH Bridge

- Easy migration to Authentic Mercury open hardware platform
- Secure communication to DNA Fusion software
- Enhanced software experience with Open Options DNA Fusion
- Ability to expand system with Authentic Mercury Hardware
- One for one replacement
- Greatly reduces retrofit costs
- Maintain all current enclosures, power, and connections*
- Field devices remain untouched throughout installation*

* Some exceptions may apply

*Software House (Reg. No. 3010766) is a registered trademark of Sensormatic Electronics LLC.

**Mercury Security Products is not affiliated with or sponsored by Sensormatic Electronics LLC, Software House, or Tyco International Ltd.

Bridge to Open Platform



Overview

Open Options partners with Mercury Security to provide simple, cost-effective bridge solutions to transition end-of-life or proprietary systems to an open platform. Open Options offers three bridge integrations that offer customers not only a better solution, but also a more cost-effective long-term investment.

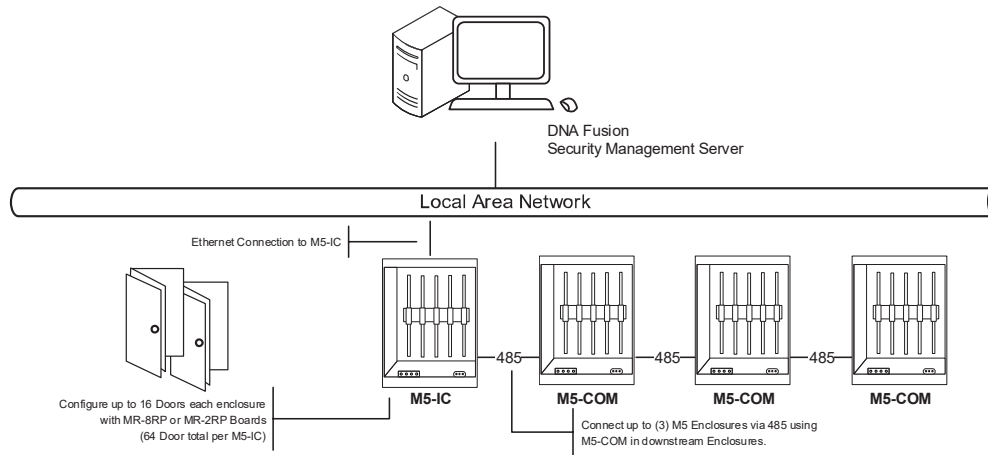
These key retrofit solutions are designed to replace Casi Rusco Micro, Vanderbilt and Software House[®] panels with Authentic Mercury boards or controllers, removing the need for an expensive and time consuming rip and replace.

Bridge integrations generally allow end users to maintain existing enclosures, power and wiring connections leaving field devices untouched throughout the installation process. Users will also be able to take advantage of an enhanced software experience with Open Options DNA Fusion access control.

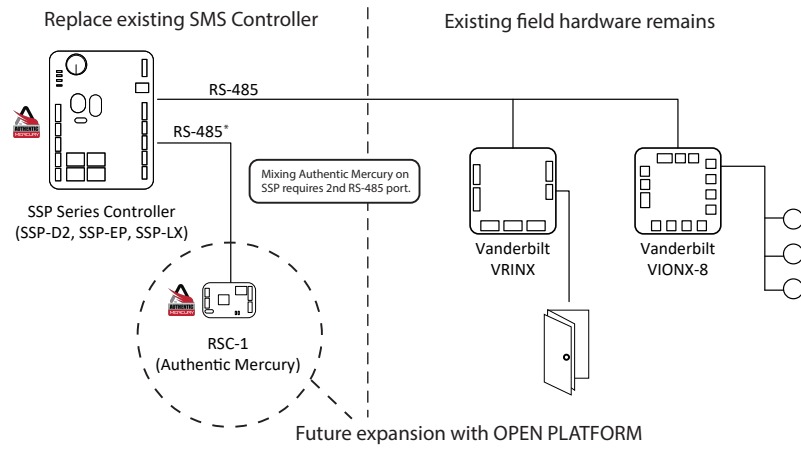
For more information on specific bridge integration details please refer to individual datasheets or contact your sales rep today.

Bridge Integrations

M5 Bridge



VB Bridge



SWH Bridge

