

Applies To: LP Series Controllers

Topic: LP series boards require a certain DIP switch manipulation to communicate with earlier versions of DNA Fusion.

LP Series Controller Distinction

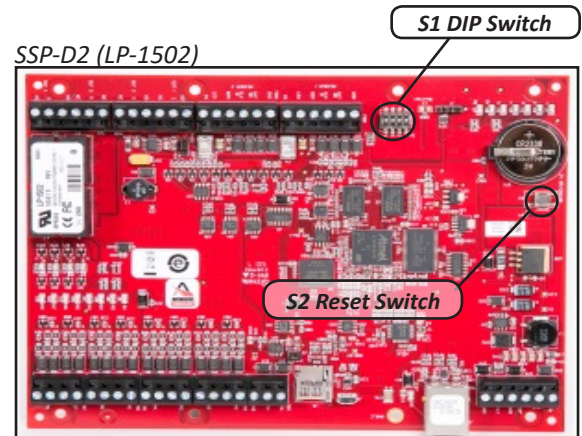
LP series boards are identified by the red PCB. One exception is that some SSP-LX (EP-4502) were produced with red PCB and are distinguished by noting the external plug-in daughter card on the board.

DNA Versions That Apply

Versions of DNA Fusion **earlier than 7.1.046**.

DIP Switch Settings

The four switches on the *S1 DIP Switch* configure the operating mode of the LP series board. DIP switches are read on power-up except where noted. Pressing the *S2 Reset Switch* causes the board to reboot.



S1 DIP Switch

1	2	3	4	Definitions
OFF	OFF	OFF	OFF	Normal operating mode.
ON	X	OFF	OFF	After initialization, enable default User Name (admin) and Password (password). The switch is read on the fly, no need to re-boot.
OFF	ON	OFF	OFF	Use factory default communication parameters.
ON	ON	OFF	OFF	Use OEM default communication parameters. Contact system manufacture for details.
ON	ON	OFF	OFF	Bulk Erase prompt mode at power up
X	X	X	ON	Makes the LP series controller report and function like an EP series controller. To be used in situations where the host software has not been updated to support the LP series product line.

All other switch settings are unassigned and reserved for future use.

X - The switch can function properly in either position (On or Off).

Setting the DIP switches to the boxed row shown above, allows the LP series controller to function like an EP series controller in the DNA Fusion software. This is used in situations where the host software has **not** been updated to support the LP series product line.

Note: Open Options recommends turning DIP switch 4 to the **OFF** position following an upgrade to a version 7.1.046 or newer.